

## Modular big bag emptying stations

Individually configurable thanks to modular principle



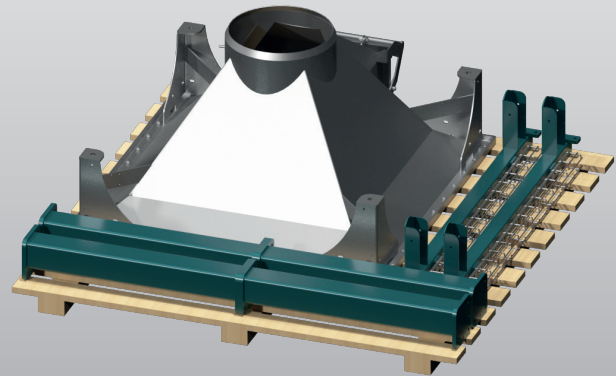
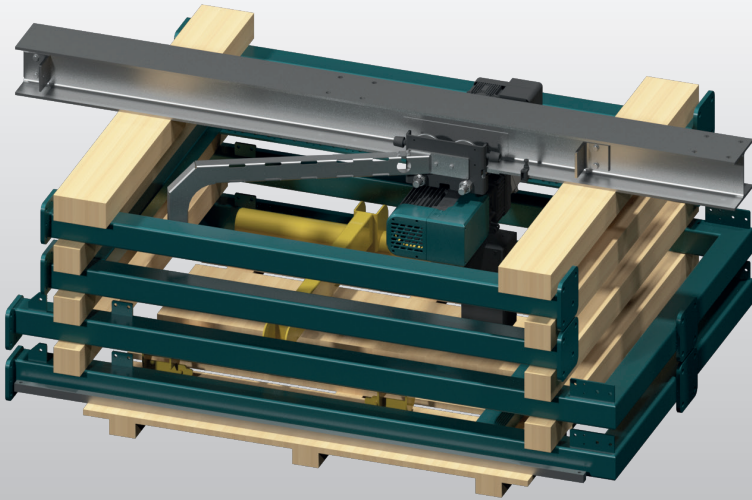
### Industries:

Building materials / Plastics /  
Chemical / Recycling /  
Environmental



### Key data:

- Operating height can be flexibly adjusted
- Loading with chain hoist or forklift
- Various emptying systems possible

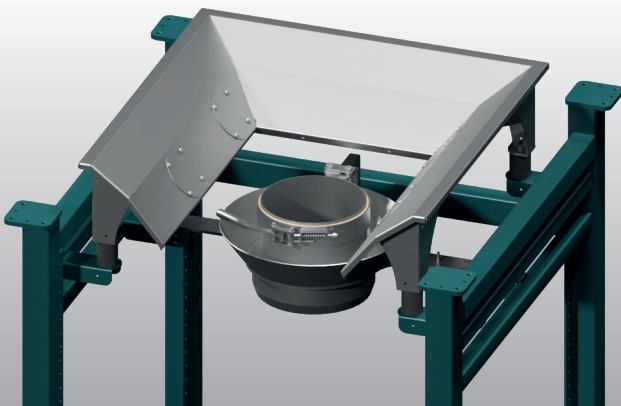


Space-saving shipping dimensions: 1st pallet: 2.750mm x 1.700mm x 1.100mm; 2st pallet: 1.700mm x 1.700mm x 750mm

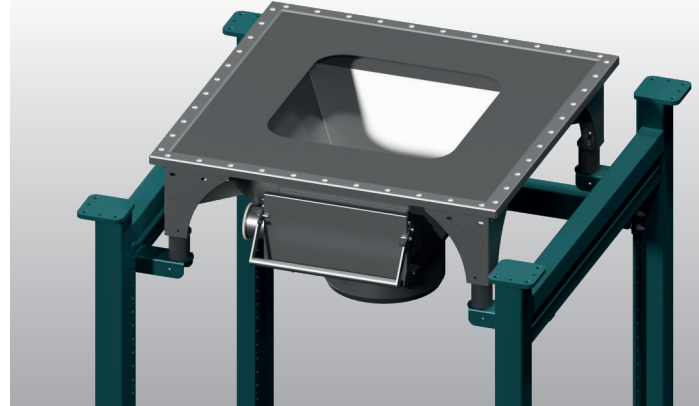
## Modular frames for every application

Based on customer requirements, essential components such as the frame, traverse, chain hoist, discharge support, and big bag emptying system can be assembled from a modular system. The stations can be adapted with minimal effort, ensuring flexibility. This modular concept allows for complete configuration without additional construction, making it cost-efficient and quick to deliver.

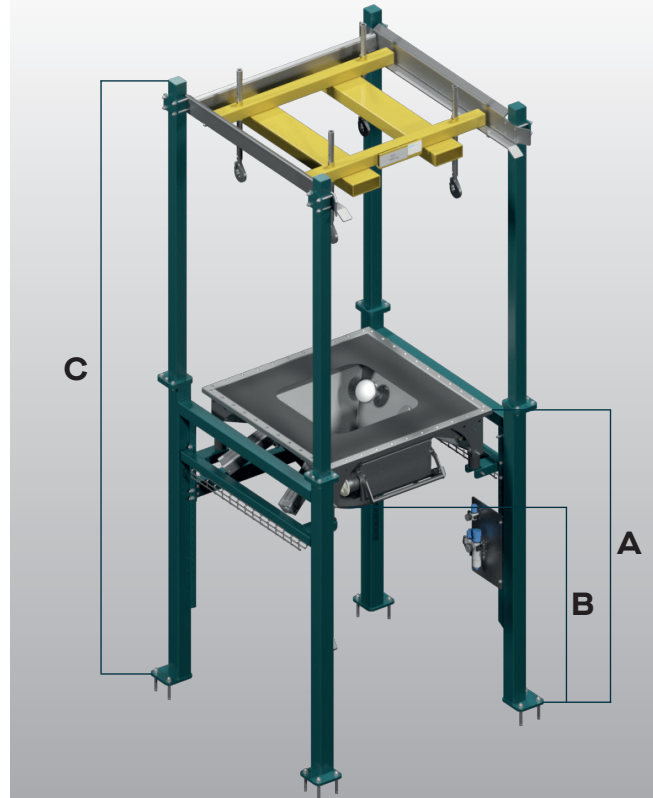
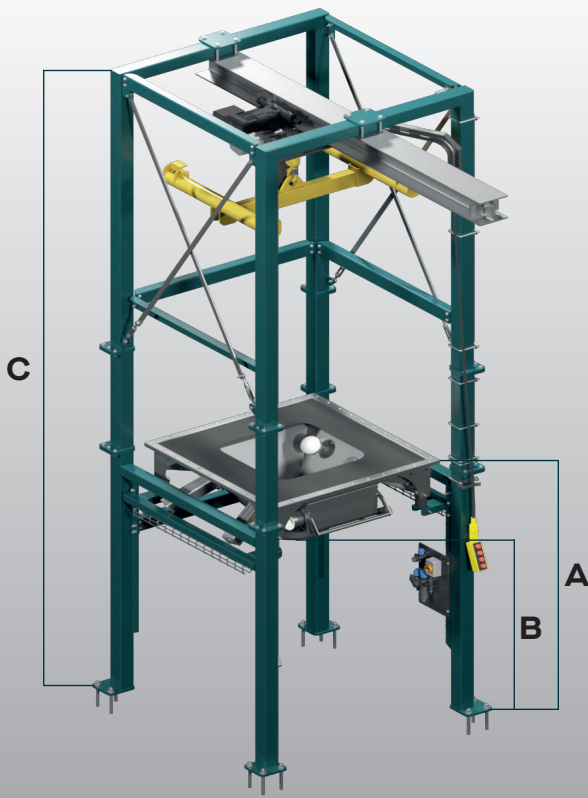
- ATEX version possible
- Steel version
- Various discharge aids for better product flow, (e.g. for bridging or poorly flowing product)
- low-dust discharge system possible
- suitable for various big bag sizes (also possible with inliner)



BE 1400; fixed connection for outlet nozzle



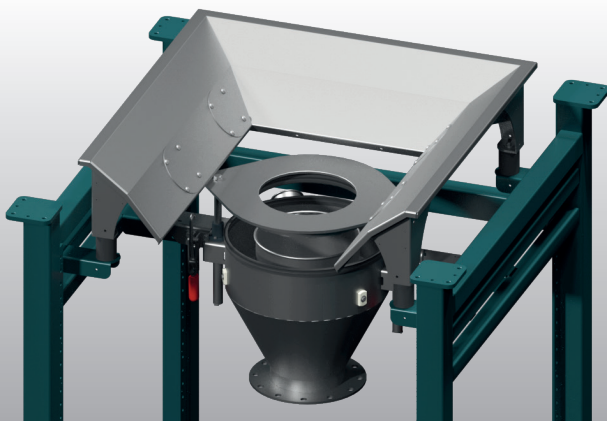
BE 1500; universal solution for all big bag variants



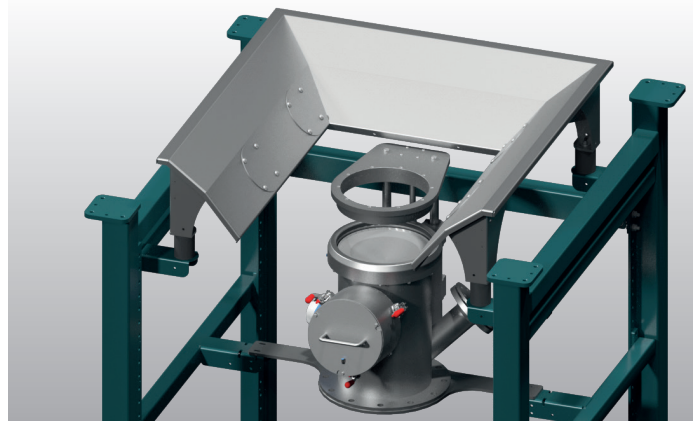
		Frame with chain hoist (BE1×OOP)					Frame for forklift truck (BE1×OOS)					
		BE 1400*	BE 1500	BE 1500 Floor walk	BE 1600**	BE 2000	BE 1400*	BE 1500	BE 1500 Floor walk	BE 1600**	BE 2000	
Outer dimensions		1.660 mm x 1.660 mm										
A	Connection dimensions (top)	min.	1.150 mm	1.006 mm	1.006 mm	1.150 mm	1.650 mm	1.150 mm	1.006 mm	1.006 mm	1.150 mm	1.650 mm
		max.	2.150 mm	2.156 mm	2.106 mm	2.150 mm	2.150 mm	2.150 mm	2.156 mm	2.106 mm	2.150 mm	2.150 mm
B	Connection dimensions (bottom)	min.	507 mm	370 mm	370 mm	145 mm	613 mm	507 mm	370 mm	370 mm	145 mm	613 mm
		max.	1507 mm	1.520 mm	1.470 mm	1.145 mm	1.113 mm	1.507 mm	1.520 mm	1.470 mm	1.145 mm	1.113 mm
C	Total height	min.	4.343 mm					3.512 mm				
		max.	5.173 mm					4.012 mm				
Frame extension		430 mm					---					
		830 mm					---					
Forklift frame		---					1.512 mm					
		---					2.012 mm					
Crane extension		2.750 mm					---					
Side walker		Only with raised frame					Not possible					
Big Bag dimensions		max.	Height 2.000 mm; width: 1.100 mm incl. bulge; Weight: 1.900 kg					Height 2.000 mm; width: 1.100 mm incl. bulge; Weight: 1.900 kg				
Operating height	min.	775 mm	750 mm	750 mm	690 mm	1.000 mm	775 mm	750 mm	750 mm	690 mm	1.000 mm	
	max.	1.775 mm	1.880 mm	1.830 mm	1.690 mm	1.500 mm	1.775 mm	1.880 mm	1.830 mm	1.690 mm	1.500 mm	

\* Dimensions depend on the size; e.g.: BE1400-DN350

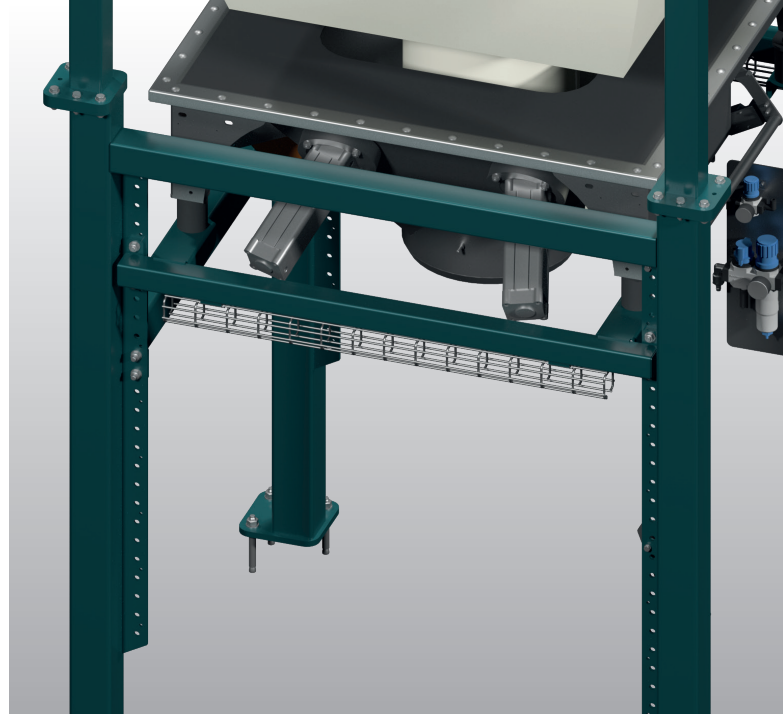
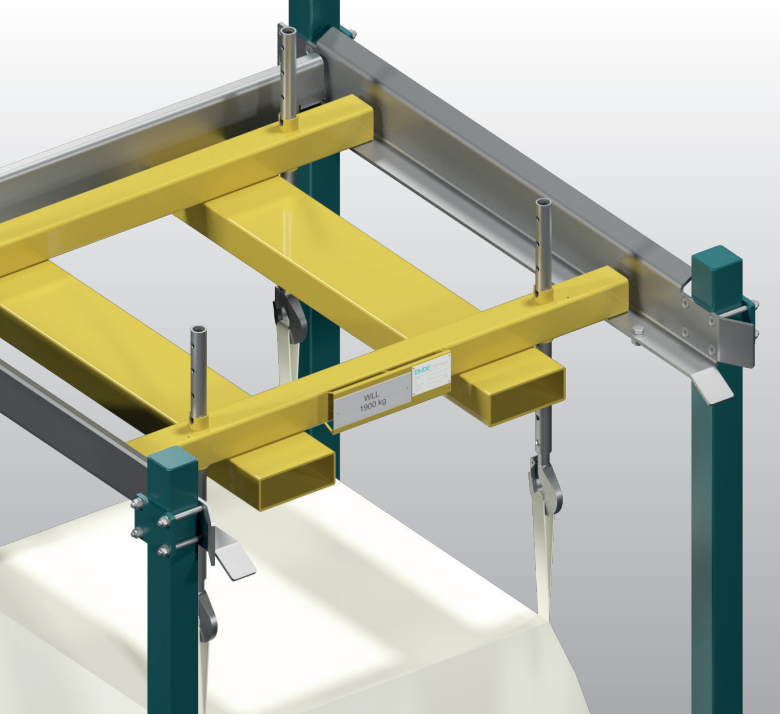
\*\* Dimensions depend on the size, flange and connection piece; e.g.: BE1600-DN350-flange



BE 1600; dust-tight docking of the outlet



BE 2000; emptying up to containment level OEB4



## USP - UNIQUE SELLING PROPOSITION

### Your advantages:

- Significant price savings compared to conventional welded variants
- Much shorter delivery times thanks to standardized stock items
- Reducal reduction in freight costs thanks to compact packaging
- Height adjustment of the docking system allows flexible adaptation to your requirements
- Compact individual component sizes facilitate transportation to the installation site, even in limited spaces (e.g. elevators, narrow doors, narrow corridors)
- Self-assembly is possible with detailed assembly instructions; optionally by EMDE fitters
- Fully compatible with all EMDE emptying systems

### EMDE Group

We offer you an extensive program for mechanical conveying of bulk materials. All components are designed by our experienced sales staff in terms of process engineering and are offered specially tailored to the application. The coordination of the components and processes connected in series is an important prerequisite for the function of the overall system.

We offer you this complete solution from one source!

The quality of the conveyor systems and the reliability of the overall system is ensured by the in-house production of all components.

**EMDE Automation GmbH**  
Koppelheck | 56377 Nassau

Phone: +49 (0) 26 04 - 97 03 - 0  
info@emde.de | www.emde.de

FLS0017E